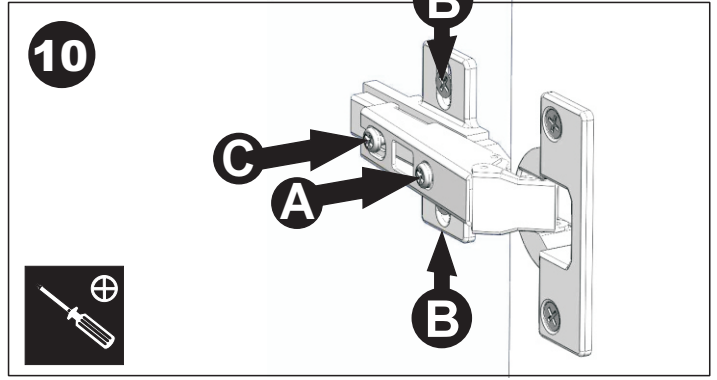
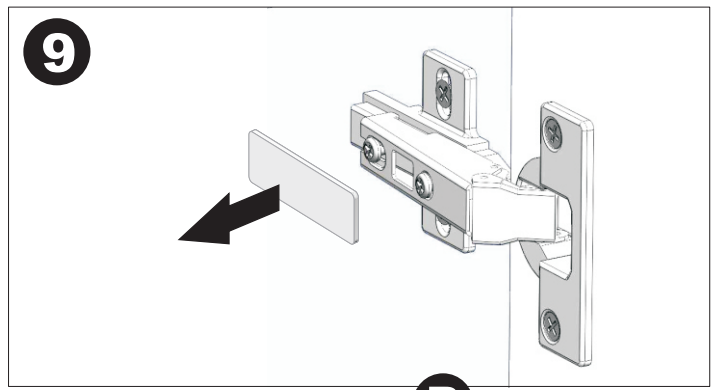
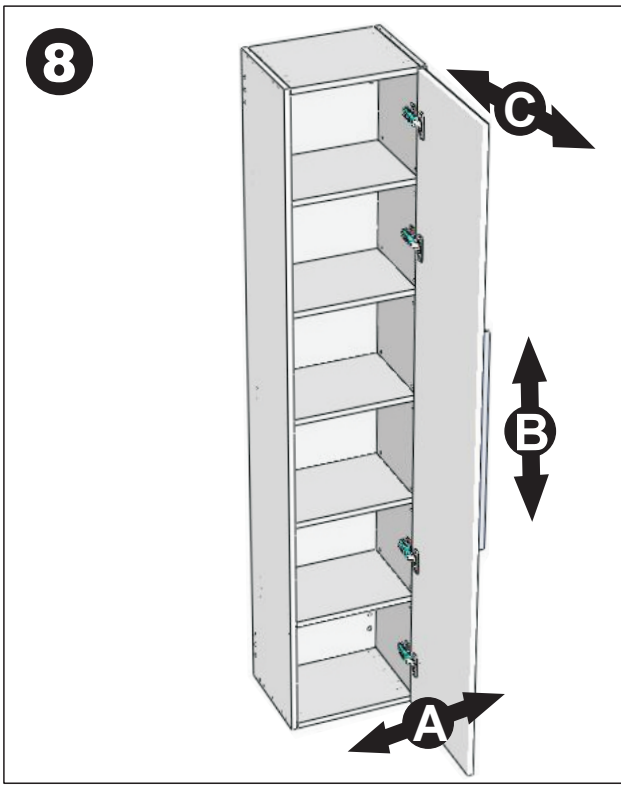


GPD F&NBS. 02/2009



GPD F&NBS, 02/2009